

## METOLIGHT® LED-Solar-Street light Serie LY-XXX Product description and overview

### LED street lights with highly efficient Philips Luxeon LEDs.

This new solar series of street lights are equipped with high-performance LEDs type 5050 from Philips Luxeon with efficiency 160 lm / W. The pole diameter are 60 mm, the aluminum housing with integrated monocrystalline solar panel and lithium battery is optionally gray or black powder-coated and IP rating 65. The LEDs have a light angle of 150 x 70 °.

The Solar-LY-XX series is available in the wattages 20 / 30 / 40 / 50 watt and in the light colors warm (3000K), neutral white (4000K), pure white (5000K).

The LEDs have a CRI Ra > 70. The average LED lifespan L70B10 is ca. 25,000 hours

**METOLIGHT®**  
LED-MRL-SOL-LY-XXX  
20 / 30 / 40 / 50 Watt



The LED module, the integrated battery and the integrated solar panel are easily replaceable in the event of a repair.

This LED light not only convinces with its excellent technical data, but also with first-class workmanship and a timelessly elegant design in a very compact housing. The light is flicker-free, low-glare and shadow-free. Ideal for large uniform and efficient lighting.

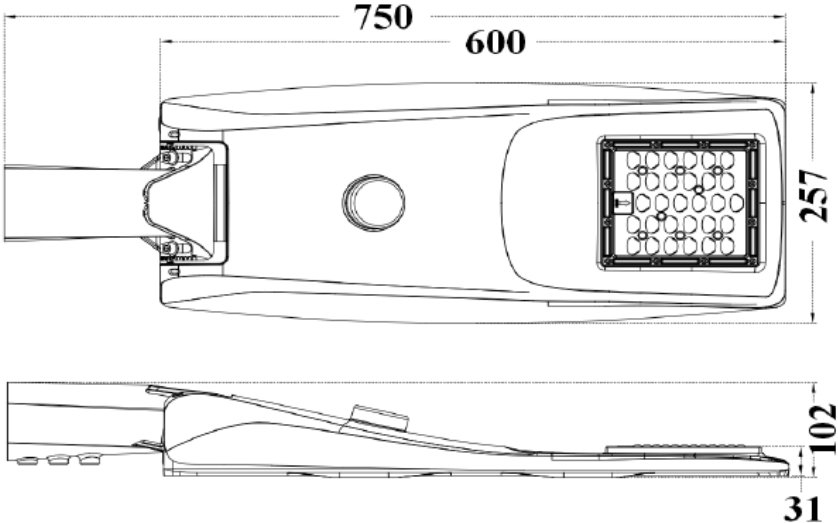
### The main advantages of METOLIGHT LED Solar street lights at a glance:

- The intergration of design ,no cable, the installation is very convenient.
- No external power supply
- The light is free from UV radiation - does not attract insects
- Uniform, glare-free area lighting with excellent color rendering
- Immediately after switching on without a warm-up phase at 100% luminosity.
- Robust die-cast aluminum housing with integrated LED cooling
- 3 year limited warranty
- Motion and light sensor built in: solar street light goes on at dusk at 50% brightness. Can go from 50% power to full brightness when motion is detected.  
Three Intelligent Modes: Bright / DIM / Recharge.  
1 Bright: motion activates for lighting when motion is detected for security light and to save battery;  
2 DIM: 50% lighting for saving power when no motion;  
3 Off/Recharge: automatically turns off in daylight and goes into recharge mode. (working mode can be adjusted according to client's demands).

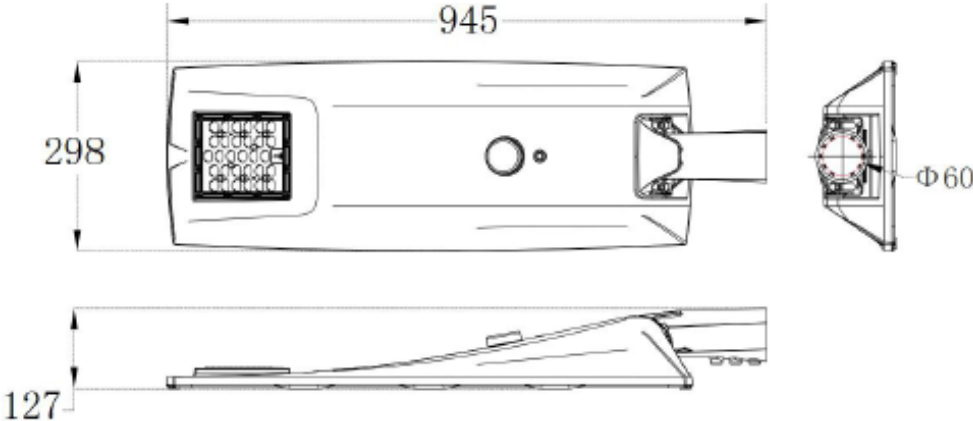
### Application:

Suitable for the street lighting, sidewalk lighting, roadway lighting, fence lighting, pathway lighting, campus lighting, park lighting, garden lighting, ramp lighting, boat dock lighting remote area lighting, farm & ranch lighting.

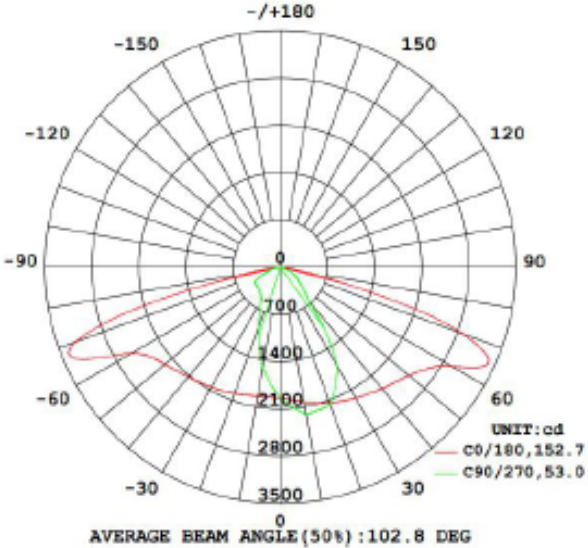
**Dimensions: (Version 20 / 30 Watt)**



**Dimensions: (Version 40 / 50 Watt)**



**Distribution Curve (Version 50Watt)**



**Technical Data:**

	<b>LY-020</b>	<b>LY-030</b>	<b>LY-040</b>	<b>LY-050</b>
Light output (Watt)	20	30	40	50
Luminous flux (lm)	3200	4800	6400	8000
Solar panel	30W	30W	30W	50W
Battery	12V 20Ah	12V 30Ah	12V 40Ah	12V 50Ah
Luminous efficiency( (lm/W)	160			
CRI	> 70			
Chip Brand	Philips Luxeon 5050			
Lifespan(hrs)	> 25.000 h			
Beam angle	150 x 70°			
Size (L x B x H) mm	750 x 257 x 102	750 x 257 x 102	945 x 298 x 127	945 x 298 x 127
Pole diameter	60 mm			
Weight (kg)	5,9	6,9	10,5	11
Housing	Alu-Druckguss, IP65			
Operating range	-20 ~ + 50°C / 20 ~ 90% rH			
Installation height (m)	4 - 8			
Standards	IEC 60598-1:2014, IEC 60598-2-3:2011			
Limited Warranty	3 Year (see guarantee conditions)			

**Alle METOLIGHT Straßenleuchten entsprechen den aktuellen EN-Sicherheitsrichtlinien..**

The above statements are based on our present knowledge. Our statements should not be interpreted as a guarantee of characteristics. The use of our products by our customers is subject to different conditions, therefore none of our customers are relieved of the responsibility of testing our products by themselves. A liability for consequential damage will not be accepted in any case. For damage resulting from the use of this information we can only be held responsible if there is evidence of malice or negligence on our part. This data-sheet replaces any previous data sheets.

ASMETEC, METODRILL, METOCHECK, METOLIGHT, METOSTAT, METOCLEAN and METO are registered trade marks of ASMETEC GmbH.  
**MRL-SOL-LY-XXX-DB-E.DOC, VERSION JAN-20**