

## METOLIGHT® LED-Machine Light MML-M9S-Series

LED-Machine Light IP67 to connect at 24 VDC

METOLIGHT-LED-MML-M9S machine lights are ready-to-connect lights for installation in machines to illuminate the workplace and for operation with the usual 24 V AC / DC on-board voltage. As an option, we also deliver a SolidState relay, with which the luminaire can also be switched by an existing PLC control.

### METOLIGHT®

LED-Machine-Light  
**MML-M9S**  
 7 / 12 / 16 / 20 Watt  
 Kaltweiß - 6000K  
 24 V AC/DC - IP67 - schwenkbar  
 120 lm/W



This lamp is optionally available for connection to 230 VAC or 12 VDC, as well as with LEDs with an efficiency of 130 lm / W. The MML-M9S is available in wattages of 7/12/16/20 watts. It is built compact and stable, the lamp body can be swiveled through 90 ° in the brackets supplied. The approx. 100 cm long connection cable is led out at the side

The built-in high-performance LEDs type 2835 have an efficiency of 120 lm / W at CRI Ra > 80 (optionally CRI Ra 90 available), designed for extra long life time. The LEDs are protected by a clear, break-proof front glass. The light angle is about 110° provided by special lenses to achieve perfect directed light..

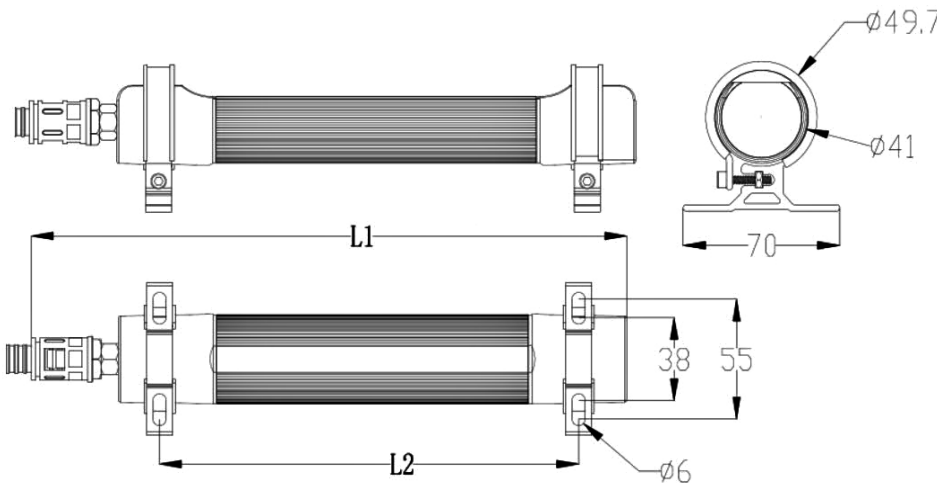
The luminaire is conditionally resistant to spray oil, lubricants, etc. The housing is made of anodized aluminum. The assembly is carried out using the retaining clips supplied. Areas of

### Application:

Lighting in machines, control cabinets, over workplaces, in trucks, buses, camping, caravans, but also for emergency lighting and on solar systems / batteries.

**Warranty:** We grant a 2 year guarantee on this lamp. If the warranty claims are justified, the light will be repaired or replaced at our option. Assembly and freight costs are not reimbursed

### Sizes:

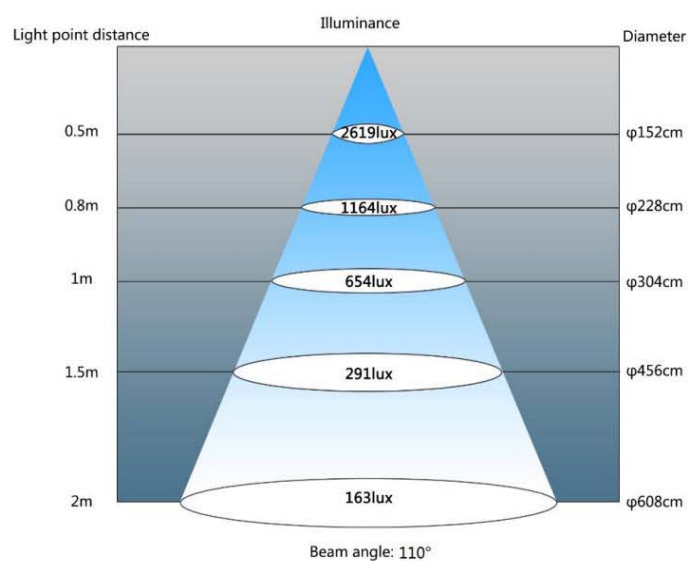
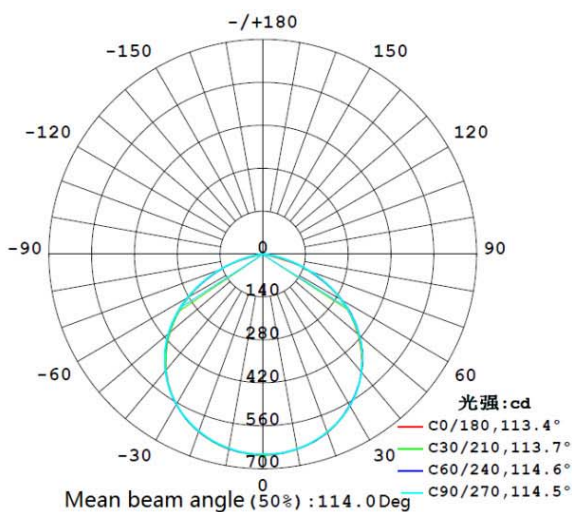


	300S	400S	600S	800S
L1	380	520	720	920
L2	268~328	405~468	605~668	805~868

## Technical Data:

	MML-M9S-07	MML-M9S-12	MML-M9S-16	MML-M9S-20
Power	7 Watt	12 Watt	16 Watt	20 Watt
Input Voltage	24 VDC	24 VDC	24 VDC	24 VDC
Input Current	300 mA	470 mA	680 mA	840 mA
Light Power	840 lm	1400 lm	1900 lm	2400 lm
Light Color	6000K	6000K	6000K	6000K
CRI Ra	> 80	> 80	> 80	> 80
Beam angle	110°	110°	110°	110°
Sizes	380 x 41 x 41	520 x 41 x 41	720 x 41 x 41	920 x 41 x 41
Environment	-20 ~ +40°C	-20 ~ +40°C	-20 ~ +40°C	-20 ~ +40°C
Humidity	10 ~ 90% rH	10 ~ 90% rH	10 ~ 90% rH	10 ~ 90% rH
IP-Class	IP67	IP67	IP67	IP67
LED-Lifetime	< 50.000h	< 50.000h	< 50.000h	< 50.000h
Warranty	2 year	2 years	2 years	2 years

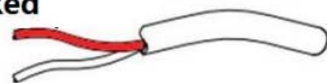
## Light distribution:



## Electrical connection:

### DC12/24V Cable

Positive(+): Red



Negative(-): White

### AC100-240V Cable

L : Brown



N : Blue



## CE-Konformität CE-conformity

Dieser Artikel fällt unter die EU-Verordnung  
This item is under EC-regulation:  
1194/2012.  
Er erfüllt die Richtlinien  
it fulfils these rules:

ErP 2009/125/EU  
NRS/LVD 2014/35/EU  
EMV/EMC 2014/30/EU  
RoHS 2011/65/EU  
WEEE - 2012/19/EU

Asmetec - WEEE  
DE74399040

The above statements are based on our present knowledge. Our statements should not be interpreted as a guarantee of characteristics. The use of our products by our customers is subject to different conditions, therefore none of our customers are relieved of the responsibility of testing our products by themselves. A liability for consequential damage will not be accepted in any case. For damage resulting from the use of this information we can only be held responsible if there is evidence of malice or negligence on our part. This data-sheet replaces any previous data sheets.

ASMETEC, METODRILL, METOCHECK, METOLIGHT, METOSTAT, METOCLEAN and METO are registered trade marks of ASMETEC GmbH.

MML-M9S-DB-E.DOCX, VERSION SEP-21