

## METOLIGHT® LED-Highbay HBL-UFO-7

Our LED high bay lights of the HBL-UFO-7 series in a robust aluminum die-cast housing are equipped with SMD LEDs 3030 from Philips. The front lens is exchangeable and available in angles of 60/90/120 °, which means that the high bay luminaire can be used for different mounting heights. The efficiency of the SMD LEDs is approx. 140 lm / W with CRI Ra > 80 and thus corresponds to energy class C. The HBL-UFO-7 are available with outputs from 100 watts to 240 watts and have an integrated MEANWELL power supply unit with protection class IP65 (dust-proof, water-jet proof). Using a stable eyelet, the lamp can be suspended from ropes or chains and adapted to local conditions. Ideally suited for mounting heights between 4 - 8 meters.

### METOLIGHT®

LED-HBL-UFO-7  
100 / 150 / 200 / 240 Watt  
60° / 90° / 120°  
140 lm/W - IP65

Option: dimmbar



ASMETEC  
www.asmetec-shop.de



PHILIPS



With these highbay lights you can easily replace conventional HQI floodlights from approx. 320 watts to 800 watts - 70% energy savings with significantly longer burning times - flicker-free light without UV or IR components. Insects are not attracted to light. Compact aluminum cast housing with LED SMD with high efficiency and color reproduction fidelity, IP65, encapsulated power supply, short-circuit-proof with excess temperature protection, tempered glass front. These lights can optionally be supplied with a dimmable power supply unit (0-10 volts or DALI) and motion sensors.

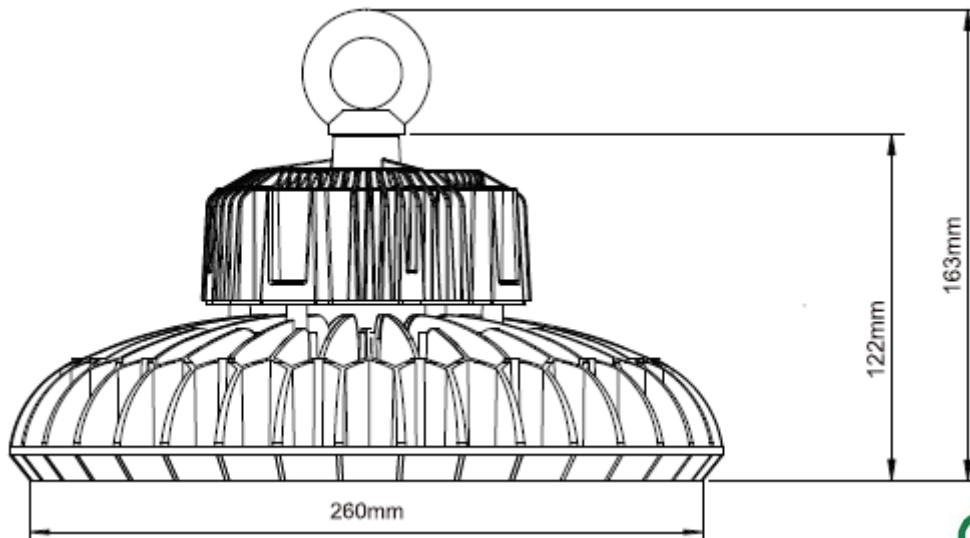
### Applications:

These LED highbay lights are ideal for lighting in warehouses, assembly halls, factory areas, covered loading ramps, sales halls, supermarkets, shopping malls, sports halls and much more.

### Sizes:

HBL-UFO-7 100 / 150 have a diameter of 260 mm

HBL-UFO-7 200 / 240 have a diameter of 300 mm



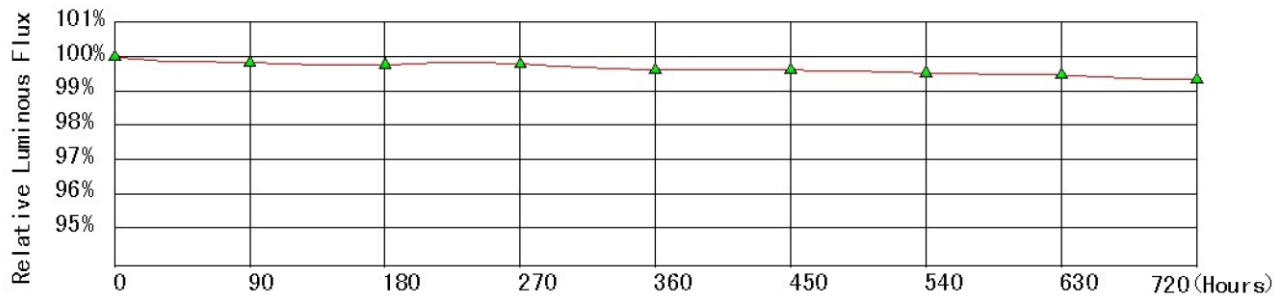
### Common technical data:

Input voltage	100-277 VAC - 50/60 Hz	LED-Chips	Philips Lumileds 3030
Power factor	Pf > 0,95	CRI	Ra > 80
Efficacy (typ)	$\eta > 0,85$	Efficacy	> 140 lm/W
Environment	-30 ~ +60°C, 20 ~ 90% rH	Light life	> 85% / 5000h
Storage	-30 ~ +80°C, 20 ~ 90% rH	LED-life (typ)	50.000h / 25 °C Basis
Standards	CE, UL, DLC, RoHS, TUV	Beam angle	60 / 90 /120°
Sizes	260/300 x 168/177 mm (d x h)	Weight	ca.4,5 / 5,5 kg
Energy class	C	Photobiol. class	1
Warranty	3 years		

### Individual technical data:

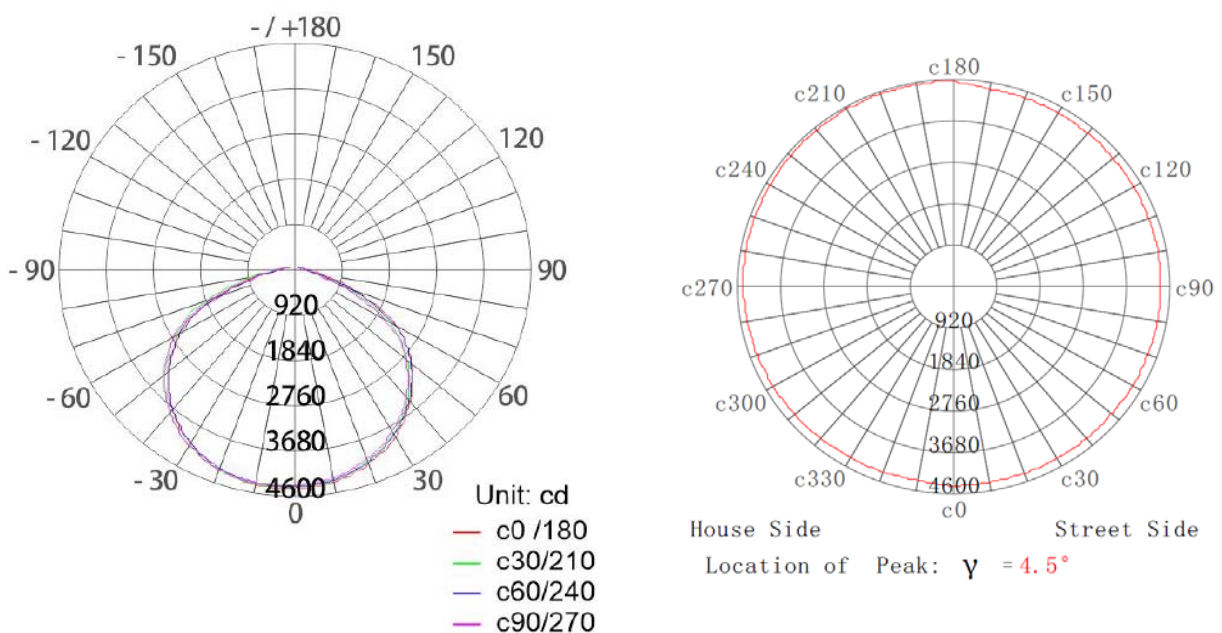
	UFO-7-100	UFO-7-150	UFO-7-200	UFO-7-240
Power ED	100 W	150W	200W	240W
Power tot	105 W	155 W	205W	245 W
Qty LEDs	200	296	392	488
Lumen (CW)	14000	21000	28000	33000
Replaces HQI	320 W	400 W	600 W	800 W
Sizes	260 Ø x 168 mm	260 Ø x 168 mm	300 Ø x 177 mm	300 Ø x 177 mm
LED-Voltage	40-48 VDC	40-48 VDC	40-48VDC	40-48 VDC
Meanwell driver	HGB-100-48/A/B	HGB-150-48/A/B	HGB-200-48/A/B	HGB-240-48/A/B
LED-current	2,65 A	3,25 A	4,15 A	5 A

### Accelerated aging test:



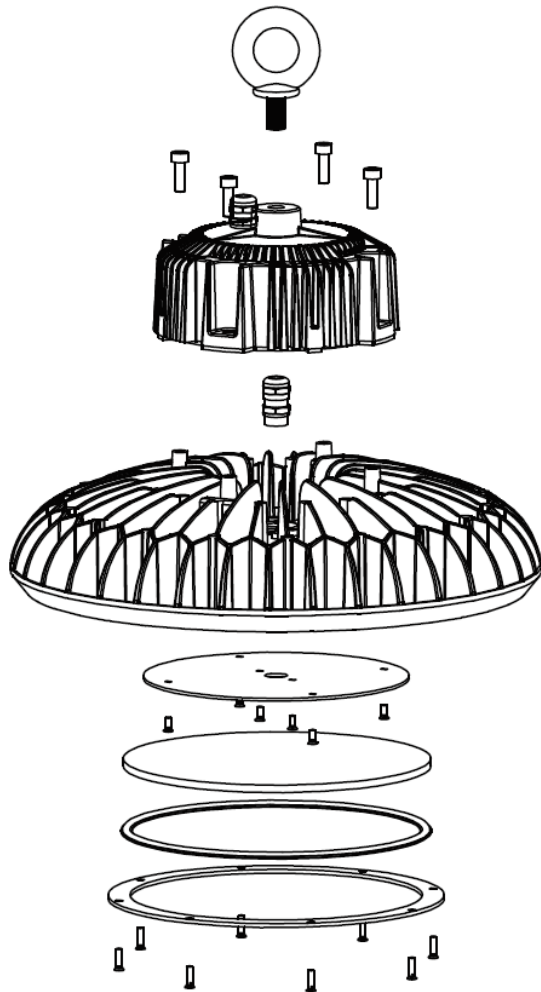
Based on the data obtained from an accelerated aging test over 720 hours with extreme temperature fluctuations, an average operating time of approx. 50,000 hours can be expected. The loss of light is less than 1% per 1000 hours

### Light distribution curve:

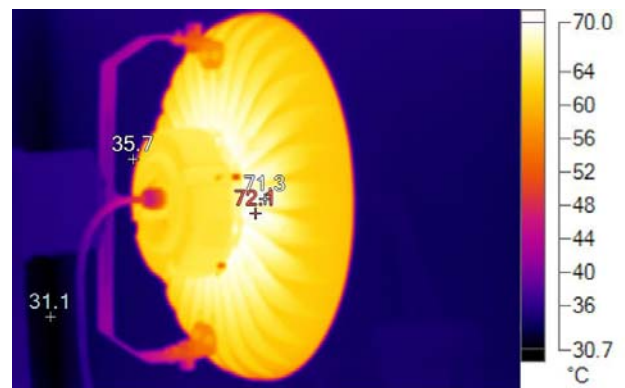


IES files for light calculations are offered upon request

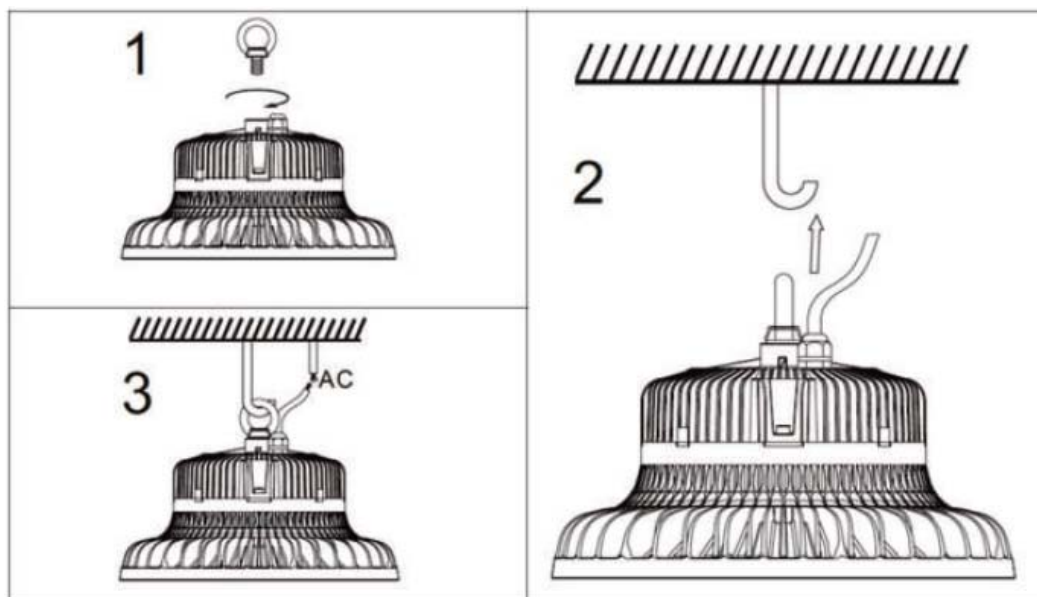
## Mechanical system



## Heat image



## Installation:



The above statements are based on our present knowledge. Our statements should not be interpreted as a guarantee of characteristics. The use of our products by our customers is subject to different conditions, therefore none of our customers are relieved of the responsibility of testing our products by themselves. A liability for consequential damage will not be accepted in any case. For damage resulting from the use of this information we can only be held responsible if there is evidence of malice or negligence on our part. This data-sheet replaces any previous data sheets.

ASMETEC, METODRILL, METOCHECK, METOLIGHT, METOSTAT, METOCLEAN and METO are registered trade marks of ASMETEC GmbH.

**LED-HBL-UFO7-DB-E.DOC, VERSION SEP-21**

Verwertung unserer Angaben ergeben, haften wir nur, wenn uns Vorsatz oder grobe Fahrlässigkeit nachgewiesen werden kann. Dieses Datenblatt ersetzt etwaige vorherige Datenblätter. ASMETEC, METO, METOLIGHT, METOCLEAN, METOCHECK sind eingetragene Marken der ASMETEC GmbH  
LED-HBL-UFO7-DB-D.doc, Version Sep-21